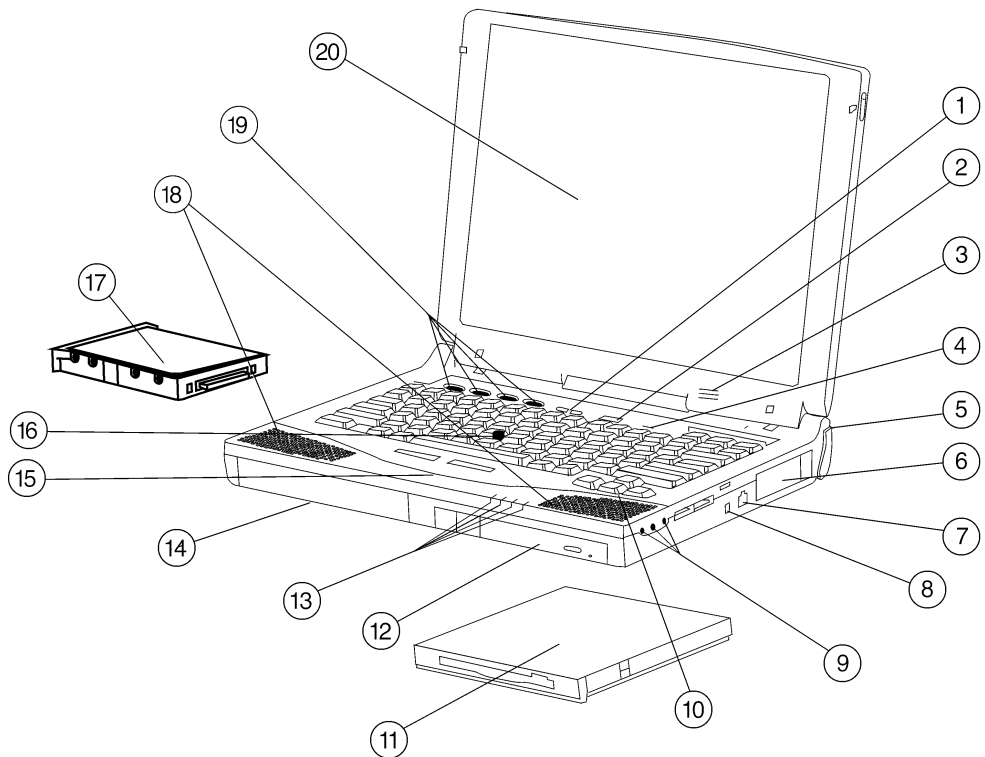


Overview

AT A GLANCE

- Intel Mobile Pentium® II processor up to 366 MHz
- AGP (Accelerated Graphics Port) implementation
 - 66-MHz graphics bus
 - 4-MB SGRAM
- Durable Magnesium alloy casing
- As light as 6.3 lbs and 1.6 inches thin
- 64-MB Synchronous DRAM standard
 - Expandable up to 256 MB
- 56K V.90¹ Modem
- Up to 20 GB² storage in portable with second 10 GB² Hard Drive
- Convenient MultiBay design
- 3 spindle support with Armada 7400/7800 External Diskette Drive option
- Software:
 - Choice of MS Windows 95 or MS Windows NT Workstation 4.0 (SP3)
 - Intelligent Manageability
 - MS Internet Browser
- Compaq Services, including a three-year, Worldwide Limited Warranty³ with second business day⁴ expedited pick-up and repair in North America



- | | |
|--|--|
| <ol style="list-style-type: none"> 1. Volume Button 2. Suspend Button 3. Microphone 4. Power Switch 5. Tilt Feet 6. Two Type II/One Type III PC Card Slot(s) (Zoomed video in bottom slot); CardBus⁵ Capable 7. Integrated Modem RJ-11 (modem models only) 8. Security Slot 9. Headphone/Microphone/Stereo Line-In Jacks 10. Inverted-T Cursor Keys 11. Other MultiBay devices (Diskette Drive [pictured], second hard drive, SuperDisk LS-120 option and DVD-ROM Drive) | <ol style="list-style-type: none"> 12. MultiBay ships with 24X Max⁶ CD-ROM Drive, or DVD-ROM⁷ Drive. 1.44 MB Floppy Drive ships standard with all models 13. Suspend/Power, Battery, Hard Drive, MultiBay status LEDs 14. Li-Ion Battery Pack 15. Pointing Device Buttons 16. EasyPoint III Pointing Stick 17. Removable SMART Hard Drive up to 10 GB² 18. Stereo Speaker 19. Four User-Programmable Keys 20. 14.1 or 13.3 Color TFT Display |
|--|--|

QUICK SPECS

Compaq Armada 7400

Standard Features

MODELS

Windows NT Workstation 4.0 and Integrated Modem

6366/14T/10GB/V/M/3
387071-002

6366/13T/10GB/V/M/3
387072-002

6333/13T/6.4GB/D/M/3
386687-002

Windows NT Workstation 4.0 Non-Modem

6300/13T/6.4GB/D/O/3
204450-002

Windows 95 and Integrated Modem

6366/14T/10GB/V/M/1
387070-002

6366/13T/10GB/V/M/1
387068-002

6333/13T/6.4GB/D/M/1
341900-002

6300/13T/6.4GB/D/M/1
204200-002

Windows 95 Non-Modem

6300/13T/6.4GB/D/O/1
204250-002

Powerful Slimline Design

The Armada 7400 is optimized for performance and mobility with unprecedented desktop expansion solutions. This durable portable's sleek new design incorporates Compaq's first magnesium alloy case.

Processor

Intel Mobile Pentium II processor 366 MHz

6366/14T/10GB/V/M/3
6366/13T/10GB/V/M/3
6366/14T/10GB/V/M/1
6366/13T/10GB/V/M/1

Intel Mobile Pentium II processor 333 MHz

6333/13T/6.4GB/D/M/3
6333/13T/6.4GB/D/M/1

Intel Mobile Pentium II processor 300 MHz

6300/13T/6.4GB/D/O/3
6300/13T/6.4GB/D/M/1
6300/13T/6.4GB/D/O/1

Cache Memory

512-KB L2

6300/13T/6.4GB/D/O/3
6300/13T/6.4GB/D/M/1
6300/13T/6.4GB/D/O/1

Integrated 256-KB L2

6366/14T/10GB/V/M/3
6366/13T/10GB/V/M/3
6366/14T/10GB/V/M/1
6366/13T/10GB/V/M/1
6333/13T/6.4GB/D/M/3
6333/13T/6.4GB/D/M/1

Memory

Standard 64 MB
Maximum 256 MB

Communications

Integrated 56K V.90¹ Modem

6366/14T/10GB/V/M/3
6366/13T/10GB/V/M/3
6366/14T/10GB/V/M/1
6366/13T/10GB/V/M/1
6333/13T/6.4GB/D/M/3
6333/13T/6.4GB/D/M/1

Integrated 33.6/14.4 Kb/s modem with DSVD upgradable to K56flex[®] protocol, direct cellular support and protection from power surges and digital phone lines

6300/13T/6.4GB/D/M/1

Keyboard

101-key compatible keyboard with isolated, inverted-T cursor control keys and right-control key, four user-programmable keys, special feature hotkeys for instant access to power conservation, QuickLock/QuickBlank, battery charge status, brightness, mute, and toggle between internal and external, or simultaneous displays

Standard Features

Pointing Device

Keyboard-integrated, textured, EasyPoint III

PC Card Slots

Two Type II/One Type III PC Card Slot(s), which support both 32-bit CardBus⁵ and 16-bit PC Cards; Zoomed Video support in bottom slot only; telephony support in top slot only

Storage

Diskette Drives 1.44 MB

DVD-ROM Drive⁷

6366/14T/10GB/V/M/3
6366/13T/10GB/V/M/3
6366/14T/10GB/V/M/1
6366/13T/10GB/V/M/1

CD-ROM

24X Max⁶ CD-ROM Drive

6333/13T/6.4GB/D/M/3
6333/13T/6.4GB/D/M/1
6300/13T/6.4GB/D/O/3
6300/13T/6.4GB/D/O/1
6300/13T/6.4GB/D/M/1

Hard Drives

10-GB² SMART Hard Drive

6366/14T/10GB/V/M/3
6366/13T/10GB/V/M/3
6366/14T/10GB/V/M/1
6366/13T/10GB/V/M/1

6.4-GB² SMART Hard Drive

6333/13T/6.4GB/D/M/3
6333/13T/6.4GB/D/M/1
6300/13T/6.4GB/D/O/3
6300/13T/6.4GB/D/M/1
6300/13T/6.4GB/D/O/1

Standard Features

Multimedia

16-bit Compaq Premier•Sound™ and Hardware Wave Table for enhanced audio (16-bit Sound Blaster Pro compatible), integrated stereo speakers and Bass Reflex speaker ports, integrated microphone, hardware and software volume control, headphone, microphone and stereo line-in jacks, standard CD-ROM Drive or DVD Drive, software MPEG1, software MPEG2 available

Interfaces

PC Card	Two Type II/One Type III
Enhanced Parallel	1
Serial	1
External Monitor	1
External Keyboard/ Pointing Device (PS/2)	1
Convenience Base	1
Headphone/Line-out	1
Stereo Line-In	1
Microphone	1
AC Power	1
RJ-11	1
Infrared	1 (4 Mb/s ⁹ support)
USB	1
Expansion Base	1
Support for Third-Party Y- Cables (for external mouse and keyboard)	Yes

Graphics

AGP implementation with dedicated 66-MHz graphics bus
Frame mode support
S3 ViRGE/MX™ graphics controller with 4-MB SGRAM
Up to 100 Hz external refresh at SVGA resolution up to 16.8M colors
Simultaneous Display support in any resolution

Display

14.1-in CTFT 1024 x 768 panel
6366/14T/10GB/V/M/3
6366/14T/10GB/V/M/1

13.3-in CTFT 1024 x 768 panel
6366/13T/10GB/V/M/3
6366/13T/10GB/V/M/1
6333/13T/6.4GB/D/M/3
6333/13T/6.4GB/D/M/1
6300/13T/6.4GB/D/M/1
6300/13T/6.4GB/D/O/3
6300/13T/6.4GB/D/O/1

Standard Features

Software

Windows NT Workstation 4.0, Insight Management Agents, Compaq Intelligent Manageability, Security 32, Diagnostics for Windows NT, Compaq Power Management, Online Safety and Comfort Guide, Reference Guide and Carbon Copy

6366/14T/10GB/V/M/3

6366/13T/10GB/V/M/3

6333/13T/6.4GB/D/M/3

Windows NT Workstation 4.0 SP3, Compaq Intelligent Manageability, Microsoft Internet Explorer and power management

6300/13T/6.4GB/D/O/3

Windows 95 OSR 2.5, Insight Management Agents, Compaq Intelligent Manageability, Security 32, Diagnostics for Windows 95, Compaq Power Management, Online Safety and Comfort Guide, Reference Guide and Carbon Copy

6366/14T/10GB/V/M/1

6366/13T/10GB/V/M/1

6333/13T/6.4GB/D/M/1

Windows 95 OSR 2.5, Compaq Intelligent Manageability, Microsoft Internet Explorer, Microsoft NetMeeting, Microsoft PC Card Manager

6300/13T/6.4GB/D/M/1

6300/13T/6.4GB/D/O/1

OS Support

Windows NT Workstation 4.0 SP4

Windows NT Workstation 4.0 SP3

Windows 98

Windows 95 OSR 2.5

Windows 3.1x

Intelligent Manageability

The Armada 7400 lowers total cost of ownership by providing enhanced security, asset management and fault prediction. It also provides SMART hard drive alert, battery fault alert, thermal alert and memory alert for investment and data protection.

Security

Cable lock support

Power-on and setup passwords

QuickLock/QuickBlank

Ability to disable serial port

Parallel port, PC Card slots

Diskette drive

Diskette drive boot sequence

Infrared port

MultiBay and hard drive security screw

Memory door security screw (tool included)

DriveLock Security for advanced data protection

Password protection resides on the drive

Power Supply

External AC Adapter with 6-foot power cord

Standard Features

Battery

Li-Ion Battery Pack provides up to 2.6 hours of battery life¹⁰. Battery can be swapped when the portable is in Standby mode. Battery QuickCheck button on battery pack provides instant visual indication of charge status. A new enhanced battery option (standard on 333/366 MHz models) provides over 3.5 hours of battery life¹¹.

Power Conservation

Hibernation, Instant-On via Suspend/Standby; pop-ups with three presets and one custom level of power conservation

Service and Support

Compaq Services provides a range of services for the Armada 7400, with 7 x 24 service line at 1-800-OK-COMPAQ (1-800-652-6672) and a three-year, Worldwide Limited Warranty³ with second business day⁴ pick-up and delivery service from Compaq. All shipping and handling materials are supplied and arranged by Compaq.

Options

Memory

128-MB SDRAM Memory	315177-B21
64-MB SDRAM Memory	314891-B21
32-MB SDRAM Memory	314890-B21

Monitors¹²

TFT8000 Flat Panel	307906-001
TFT5000 Flat Panel	325700-001
P1610 Color ¹³	305708-001
P1100 Color ¹³	325606-001
P900 Color	386326-001
P700 Color	380207-001
P110 Color ¹³	325600-001
P75 Color	307806-001
V1100 Color	386472-001
V1000 Color	351757-001
V900 Color	303500-001
V700 Color (opal)	325800-001
V75 Color (carbon)	307710-002
V500 Color	325900-001
S910 Color ¹³	138485-001
S900 Color ¹³	360562-001
S710 Color	152991-001
S700 Color	360512-001

Optical Drive

Armada 7400/7800 External Diskette Drive	297186-B21
--	------------

Hard Drive

10-GB ² SMART Hard Drive	354230-B25
6.4-GB ² SMART Hard Drive	204220-B25

MultiBay Devices

SuperDisk LS-120 Drive	296502-B25
DVD-ROM ⁷ Drive	314914-B25
24X Max ⁶ CD-ROM Drive	298452-B25
Armada 7400 Hard Drive Adapter (carbon)	267867-B25

PC Cards/Communications

Compaq Microcom 420 56K ⁸ PC Card	317900-001
SpeedPaq Cellular PC Card	221202-001
10/100 TX PC Card UTP Controller	335506-B21
10 T PC Card UTP Controller	292806-B21
10 2 PC Card Coax Controller	292807-B21
10/100 TX PC Card UTP Controller Upgrade	292813-B21
100 Base TX Ethernet Upgrade	225435-001

PC Cards/Communications (continued)

Int'l Modem Adapter	248075-001
Int'l DAA Cables (country specific)	234407-xx3
16/4 TR PC Card IBM UTP/STP Controller	301208-B21

For additional compatible PC Cards, view the Compaq PC Card Solutions List on the Compaq website at <http://www.compaq.com/support/techpubs/pcmcia/pccardlist.html>. Please note this website is available in English only.

Expansion/Convenience Bases

ArmadaStation II Expansion Base (opal)	203100-001
ArmadaStation II Expansion Base (carbon)	112162-001
ArmadaStation Tower Stand (opal)	267863-B25
Armada 7000 Half Height MultiBay Adapter	220681-001
Armada 7000 Hard Drive Adapter	267868-B25
MiniStation E Monitor Cover (opal)	319660-001
Armada MiniStation E Convenience Base (opal)	327137-001

Power

Armada 7400 Li-Ion Battery Pack	267865-B25
Armada 7400 Enhanced Li-Ion Battery Pack	104724-B25
Armada 7000 Battery Charger	220461-001
Auto/Aircraft adapter	296537-B21
AC Power cord 10-foot	217932-002
AC Adapter (carbon)	220841-005

Options

Input Devices

External Infrared Transceiver	220687-002
External Enhanced III Keyboard (opal)	294343-001
External Enhanced III Keyboard (carbon)	118003-008
Compaq Mouse (opal)	143315-B21
Compaq Mouse (carbon)	103180-B21
Compaq/Microsoft Intellimouse	294306-B21

Other

Security Lock	294316-B21
Portable Video Conferencing Kit	296954-001
Universal Monitor Stand	294315-B21
Armada Headset with microphone	220460-001

Carrying Cases

CPQ Value Case	294260-B21
CPQ Workstation Case	294267-B21
CPQ Global Case	294268-B21
CPQ Professional Case (Nylon)	401366-B21
CPQ Professional Case (Leather)	401367-B21

For additional Compaq Brand cases, call
1-800-888-5903.

Memory

Compaq Armada 7400 models 6333/14T/10GB/V/M/3, 6366/13T/10GB/V/M/3, 6366/14T/10GB/V/M/1, 6366/13T/10GB/V/M/1, 6333/13T/6.4GB/D/M/3, 6333/13T/6.4GB/D/M/1, 6300/13T/6.4GB/D/0/3, 6300/13T/6.4GB/D/M/1, and 6300/13T/6.4GB/D/0/1

STANDARD MEMORY

64-MB SDRAM Memory Upgrade installed in one slot

Standard	Slot	
	1	2
64 MB	64 MB	Empty

STANDARD MEMORY PLUS

OPTIONAL MEMORY

Support for up to 192 MB of SDRAM is available memory with the installation of an optional SDRAM Memory Upgrade.

Up To	Slot	
	1	2
96 MB	64 MB	32 MB
192 MB	64 MB	128 MB

STANDARD MEMORY REPLACED

WITH OPTIONAL MEMORY

Support for up to 256 MB of SDRAM memory is available with the removal of the standard 32-MB Memory Upgrade and the installation of optional SDRAM Memory Upgrade.

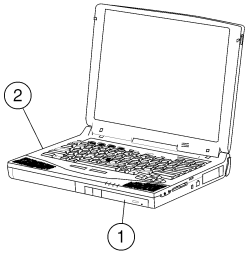
Up To	Slot	
	1	2
128 MB	128 MB	Empty
192 MB	128 MB	64 MB
256 MB	128 MB	128 MB

Note: Because one memory slot is occupied on these products, the 64-MB Memory upgrade must be removed to reach the maximum memory of 256 MB. This chart does not represent all possible memory configurations.

Following are memory options available from Compaq:

- 128-MB SDRAM Memory Upgrade 315177-B21
- 64-MB SDRAM Memory Upgrade 314891-B21
- 32-MB SDRAM Memory Upgrade 314890-B21

Storage



- 1 MultiBay
- 2 Upgradable Hard Drive

DRIVE SUPPORT

	Quantity Supported	Drive Bay Supported
Removable Media		
1.44-MB Diskette Drive	Up to 1	MultiBay
DVD-ROM ⁷ Drive	Up to 1	MultiBay
24X Max ⁶ CD-ROM Drive	Up to 1	MultiBay
SuperDisk LS-120	Up to 1	MultiBay
Hard Drives		
10-GB ² SMART Hard Drive	Up to 2	Upgradable Hard Drive and MultiBay
6.4-GB ² SMART Hard Drive	Up to 2	Upgradable Hard Drive and MultiBay

Technical Specifications

System Unit

Dimensions (HxWxD)	1.6 x 12.5 x 9.6 in/4.06 x 31.75 x 24.38 cm
Weight (modem installed)	
CD-ROM configured	
Without AC Adapter	7 lbs/3.2 kg
With AC Adapter (total carrying weight)	7.9 lbs/3.5 kg
FDD configured	
Without AC Adapter	6.7 lbs/3 kg
With AC Adapter (total carrying weight)	7.6 lbs/3.3 kg
Weight Saver configured	
Without AC Adapter	6.4 lbs/2.8 kg
With AC Adapter (total carrying weight)	7.3 lbs/3.2 kg
Weight (no modem installed)	
CD-ROM configured	
Without AC Adapter	7 lbs/3.2 kg
With AC Adapter (total carrying weight)	7.9 lbs/3.4 kg
FDD configured	
Without AC Adapter	6.7 lbs/2.9 kg
With AC Adapter (total carrying weight)	7.6 lbs/3.4 kg
Weight Saver configured	
Without AC Adapter	6.3 lbs/2.7 kg
With AC Adapter (total carrying weight)	7.2 lbs/3.1 kg
Stand-Alone Power Requirements	
Average Operating Power	20W
Peak Operating Power	28W
Power Supply	
Rated Input Voltage	100 to 120/220 to 240
Rated Input Current	1.2/0.6A
Rated Frequency	50 to 60 Hz
Temperature	
Operating	50° to 104°F/10° to 40°C
Non-operating	-4° to 140°F/-20° to 60°C
Relative Humidity	
Operating	10% to 90% relative humidity, non-condensing
Non-operating	5% to 95% relative humidity, 101.6°F/38.7°C Maximum wet bulb temperature
Shock	
Operating	10 G, 11 ms, half-sine
Non-operating	60 G, 11 ms, half-sine
Vibration	
Operating	0.25 G, 50 to 500 Hz sine, 1/2 octave/minute sweep
Non-operating	1 G, 50 to 500 Hz sine, 1/2 octave/minute sweep
Maximum Altitude	
Operating	0 to 10,000 ft/3,048 m (14.7 to 10.1 psia)
Non-operating	0 to 30,000 ft/9,144 m (14.7 to 4.4 psia)

Technical Specifications

Display LCD

Dimensions	7.98 x 10.64 in/20.28 x 27.03 cm
Diagonal Size	13.3 in/33.79 cm
Mounting	Internal Panel Supports
Number of Colors	Up to 16.8M
Contrast Ratio	150:1
Brightness	130 cd/m ²
Pixel Resolution	
Pitch	0.264 x 0.264 mm
Format	1024 x 768
Configuration	RGB stripe
Backlight	Edge Lit
Character Display	80 x 25
Total Power Consumption (maximum)	4.2W

Hard Drives

10 GB²	Capacity	10 GB ²	Seek Time (typical reads, including settling)	
	Height	1 in/25.4 mm	Single Track	4 ms
	Width	2.5 in/63.5 mm	Average	12 ms
	Interface	ATA	Full-Stroke	23 ms
	Transfer Rate		Rotational Speed	4,200 rpm
	Synchronous (Maximum)	33.3 MB/s	Physical Configuration	
			Bytes/sector	512
			Operating Temperature 41° to 131°F/5° to 55°C	
6.4 GB²	Capacity	6.4 GB ²	Seek Time (typical reads, including settling)	
	Height	1 in/25.4 mm	Single Track	4 ms
	Width	2.5 in/63.5 mm	Average	13 ms
	Interface	ATA	Full-Stroke	23 ms
	Transfer Rate		Rotational Speed	4,009 rpm
	Synchronous (Maximum)	33.3 MB/s	Physical Configuration	
			Bytes/sector	512
			Operating Temperature 41° to 131°F/5° to 55°C	

Technical Specifications

Diskette Drive

Diskette Size	3.5 in
Light	on system
Height	0.5 in/12.7 mm
Bytes per Sector	512
Sectors per track	
High density	18 (1.44 MB)/15 (1.2 MB)
Low density	9
Tracks per side	
High density	80 (1.44 MB)/80 (1.2 MB)
Low density	80
Read/Write heads	2
Access Times	
Track-to-track (high/low)	3 ms/6 ms
Average (high/low)	94 ms/174 ms
Settling time	15 ms
Latency average	100 ms

AC Adapter

Dimensions (HxWxL)	5 x 2.08 x 1.15 in/12.7 x 5.29 x 2.92 mm
Weight	0.62 lbs/0.282 kg
Power Supply Input	
Nominal Voltage	120 VAC
Current	0.6/1 A
Voltage Range	90 to 265 VAC
Input Frequency	47 to 63 Hz
Power Supply (Output)	
Nominal Voltage	18.85 VDC
Current	3.2 A
Temperature	
Nominal Operating	77°F/25°C
Operating	41° to 104°F/5° to 40°C
Non-operating	-4° to 185° F/-20° to 85°C
Relative Humidity	
Operating	The power supply withstands up to 95% relative humidity, non-condensing both operating and non-operating without degradation.
Non-operating	

QUICK SPECS

Compaq Armada 7400

Technical Specifications

Li-Ion Battery Pack

Dimensions	79 x 3.46 x 5.43 in/2 x 8.8 x 13.8 cm
Weight	0.92 lb/0.4 kg
Energy	
266/300 MHz	
Voltage	14.4 V
Amp-hour capacity	3.02 Ah
Watt-hour capacity	43Wh
333/366 MHz	
Voltage	14.4 V
Amp-hour capacity	3.02 Ah
Watt-hour capacity	46Wh (with calibration)
Performance	
266/300 MHz	
Single battery life	Over 2.5 hours ¹⁰
333/366 MHz	
Single battery life (with calibration)	Over 3.5 hours ¹¹
Temperature	
Operating	50° to 104°F/10° to 40°C
Non-operating recommended storage	-12° to 140°F/-30° to 60°C

DVD-ROM⁷ Drive

Center Hole Diameter	0.59 in/.39 cm
Disc Diameter	12 cm, 8 cm
Disc Thickness	1.2 mm
Track Pitch	0.74 µm
Access Times (typical reads, including settling)	
Random	< 150 ms
Full-Stroke	< 225 ms
Audio Output Level	
Line-Out	0.7 Vrms (typical)
Cache Buffer	128 Kb/s (minimum)
Data Transfer Rates	
Sustained 1X	150 Kb/s
Sustained DVD	2,760 Kb/s
Normal PIO Mode 4 (single burst)	16.6 Mb/s
Start-up Time	< 15 sec (typical)
Stop Time	< 6 sec

Technical Specifications

24X Max⁶ CD-ROM Drive

Applicable Disc	CD-ROM (Mode 1, 2 and 3), CD-XA ready (Mode 2, Form 1 and 2), CD-I ready (Mode 2, Form 1 and 2), CD-R (read only), CD Plus, Photo CD (Single and Multi-session), CD Extra, Video CD, CD-WO (fixed packets only) CD-Bridge
Center Hole Diameter	0.59 in/.39 cm
Disc Diameter	12 cm, 8 cm
Disc Thickness	1.2 mm
Track Pitch	1.6 μ m
Access Times (typical reads, including settling)	
Random	< 150 ms
Full-Stroke	< 300 ms
Audio Output Level	
Line-Out	0.7 Vrms
Cache Buffer	128 KB
Data Transfer Rates	
Sustained	150 KB/s (sustained 1X)
Variable	1500 to 3600 KB/s (10X to 24X)
Start-up Time	< 8 sec
Stop Time	< 4 sec

¹ Designed only to allow faster downloads from 56K V.90 compliant sources. Maximum achievable download transmission rates currently do not reach 56 KB/s, and will vary with line conditions. Modem only supports Windows 9.x and Windows NT Workstation 4.0.

² For Hard Drives, GB = Billion Bytes.

³ Certain restrictions and exclusions apply. Service and support programs vary by geographic regions. Consult the Compaq Customer Service Center for details. In Canada consult the Product Information Center at 1-800-567-1616 for details.

⁴ Pick-up and delivery service is available in 48 contiguous US States and Canada. Eligibility for priority pick-up (second business day return) is limited to certain geographic locations. Carry-in services available outside the US and Canada.

⁵ Full support in Windows 9.x.

⁶ Data transfer rates will vary from 150 KB/s to 3600 KB/s.

⁷ DVD Express software is available through the Business Reply card that ships standard with the portable or optional DVD-ROM Drive. DVD Express allows video playback of DVD movies, etc, except under Windows NT Workstation 4.0. The DVD-ROM Drive has the capacity to store up to seven times the capacity of a CD-ROM Drive.

⁸ Designed only to allow faster downloads from K56flex compliant sources. Maximum achievable download transmission rates currently do not reach 56 KB/s, and will vary with line conditions. Modem only supports Windows 9.x and Windows NT Workstation 4.0.

⁹ IrDA 4 MB compliant. IR performance will vary depending on performance of IR peripherals and applications used.

¹⁰ Actual results may vary with individual usage. When tested in a standard configuration, using the Ziff-Davis BatteryMark test version 2.0, the Battery life of the Armada 7400 will range up to 2.6 hours. Standard configuration at time of announcement is considered to be a 10X7 (256 colors) panel set at 50 percent brightness, 32-MB RAM and no drives other than the hard drive active.

¹¹ Actual results may vary with individual usage. When tested in a standard configuration, using the Ziff-Davis BatteryMark test version 2.0, the Battery life of the Armada 7400 will range up to 3.7 hours. Standard configuration at time of announcement (1/25/99) is considered to be a 10X7 (256 colors) 14.1" panel set at 50 percent brightness, 64-MB RAM and no drives other than the hard drive active.

¹² AssetControl monitor. AssetControl features are accessible with Compaq desktops featuring Intelligent Manageability.

¹³ May not be compatible with the Armada Station Monitor Support Stand, the Convenience Base I, or the Convenience Base II due to weight limitations.